

Signify

GreenUp Waterproof G2 WT158



Contents

- Value Propositions/Key differentiators
- Product Features and Benefits
- Product Applications
- Product Designation
- Product Specifications
- Comparison with last generation
- Product Installation
- Product Ordering Information (please check order book)

Value proposition/ Key differentiators

Reliable performance

- 50,000hrs L70 B50
- IP66, IK08

Product diversity

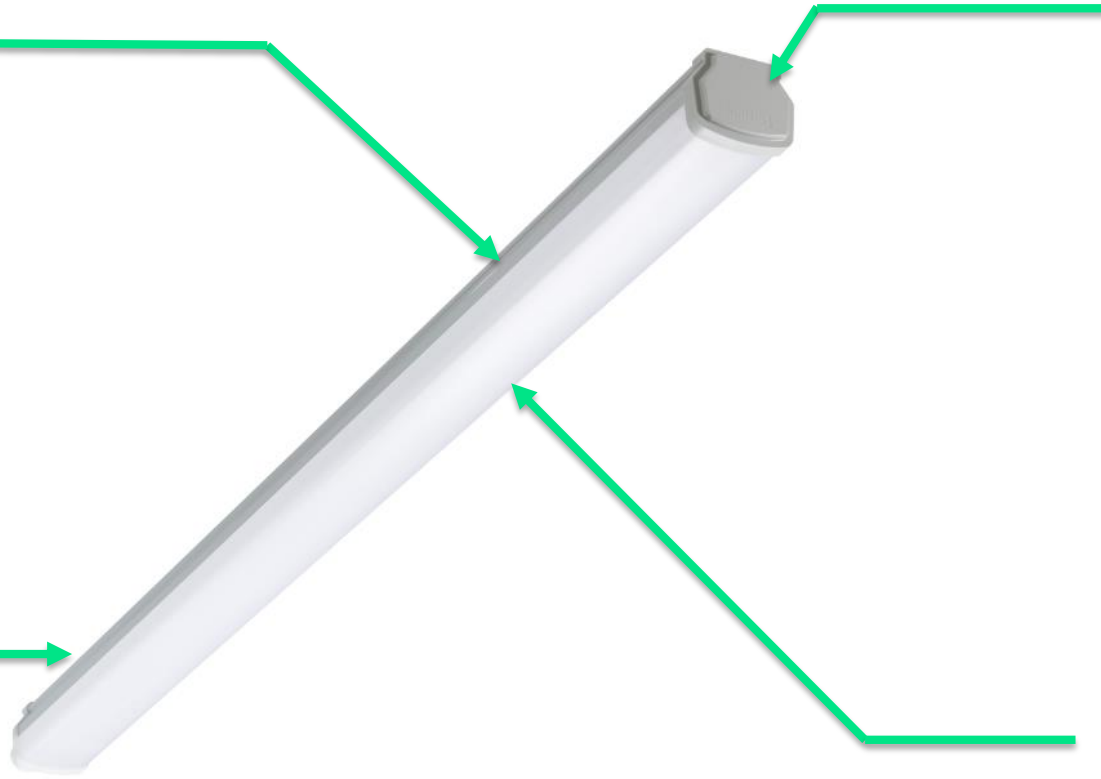
- L600/L1200/L1500
- 1800 / 3600 / 5600lm
- 4000K / 6500K

Easy installation

- Slim design
- Toolless quick connector
- Through wiring available

Superior optics

- High efficacy - 120lm/W
- Excellent illuminating uniformity



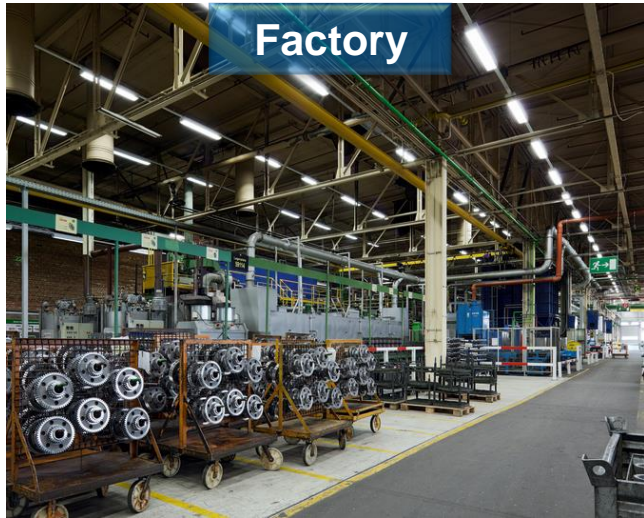
GreenUp Waterproof G2 – Features and benefits



Features and benefits:

- Superior optics - up to **120 lm/W**, **excellent illuminating uniformity**
- Product diversity – **3 lengths**, **multiple lumen options**, **1800 / 3600 / 5600lm**
- High IP rating - **IP66**, **IK08** ready for industry applications
- Reliable performance - Lifetime **50,000hours** L70 Ta 25° C
- Easy installation – **Toolless quick connector**

Applications



Factory



Parking lot



Assembly line



Warehouse



Public area



Food industry

GreenUp Waterproof G2 designation

WT158C LED18S/840 PSU (TW1) L600

1

2

3

4

5

1 Lumen package

LED18S – 1800lm

LED25S – 2500lm

LED36S – 3600lm

LED56S – 5600lm

2 CCT

840 - 4000K

865 – 6500K

3 Driver

PSU – Fixed output

4 Connection

– Non- through wiring

TW1 – Through wiring

5 Length

L 600 - 2 ft

L1200 - 4 ft

L1500 - 5 ft



Technical Specifications – Fixed output version

	L600	L1200		L1500
System Lumen output (lm)	1800lm	2500lm	3600lm	5600lm
System power (W)	15W	20W	30W	46W
System efficacy	120lm/W	125lm/W	120lm/W	122lm/W
Dimension (L x W x H, mm)	611 x 69 x 90	1201 x 69 x 90		1501 x 69 x 90
Power factor	0.9			
CCT	NW - 4000K; CW - 6500K (ETO);			
CRI	>80			
SDCM	<= 5			
IP rating	IP66			
IK rating	IK08			
Classification	Class II			
Input voltage	220-240V, 50/60 Hz			
Operating temperature	-20 ~ 45°C			
Lifetime (hours)	50,000 @L75B50 @Ta 25°C			
Material	Housing: PC / Optical cover: PC			
Mounting	Surfaced; Suspended			

GreenUp Waterproof G1 Vs G2

GreenUp G1

Lumen output	1000lm ~4800lm
System efficacy Ave.	100 lm/W
IP rating	IP65
IK rating	IK06
Operating temp range	-20~ 40 ° C
Dimension	0.6m, 1.2m, 1.5m
Mounting options	Surface mounted, suspended
SDCM	5
Driver	Fixed output / DALI
Lifetime	40,000hours L70 Ta 25° C



GreenUp G2

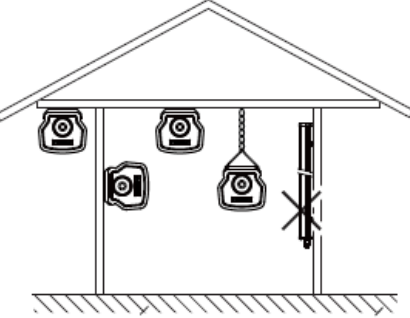
Lumen output	1800lm, 2500lm, 3600lm, 5600lm
System efficacy Ave.	120 lm/W
IP rating	IP66
IK rating	IK08
Operating temp range	-20~ 45 ° C
Dimension	0.6m, 1.2m, 1.5m
Mounting options	Surface mounted, suspended
SDCM	5
Driver	Fixed output
Lifetime	50,000hours L70 Ta 25° C



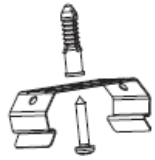
Product Installation

Installation

- Ceiling Mounting
- Wall Mounting (Horizontal)
- Suspended Mounting

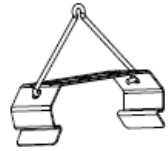


Surface Mounting



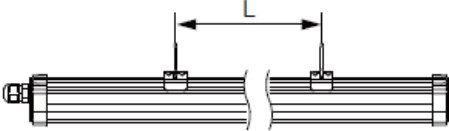
L600, L1200, L1500 2x

Suspension Mounting

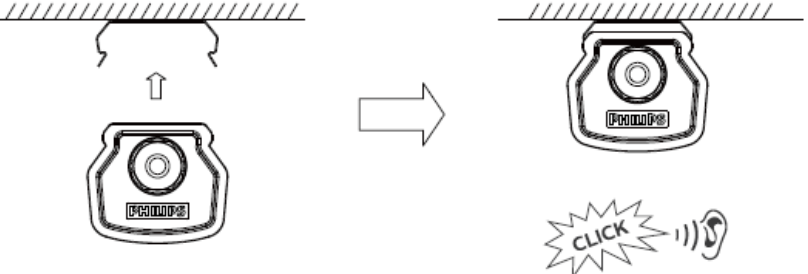


L600, L1200, L1500 2x

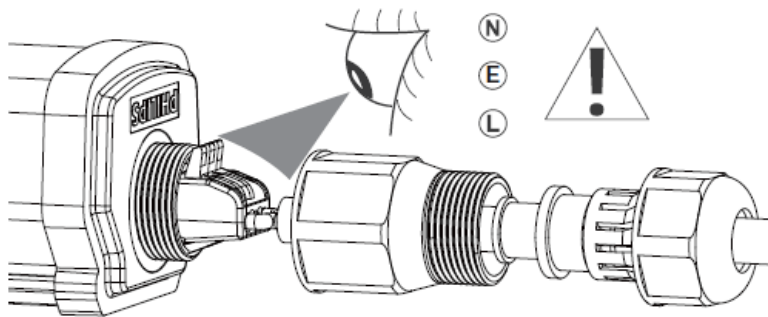
Mounting distance

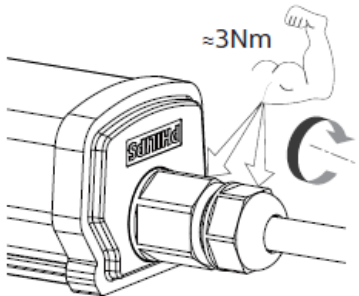



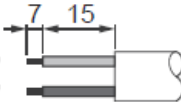




Unit (mm)			
Type	L600	L1200	L1500
L	300-400	750-900	1000-1200




Cable Connection





	60245 IEC 57: $\Phi 7 - \Phi 12.4$	
	Min. 2x1,0mm ² Max. 2x2,5mm ²	
	TWI: Min. 3x1,0mm ² Max. 3x2,5mm ²	

 TWI is a series model, MAX.10pcs, the most The last end must be tightened.

More details about installation and connection can be found in the mounting instruction

Signify