

Signify

GreenPerform Waterproof G3

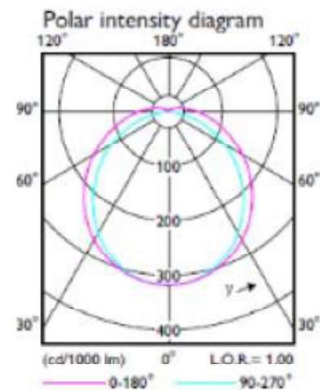


Contents

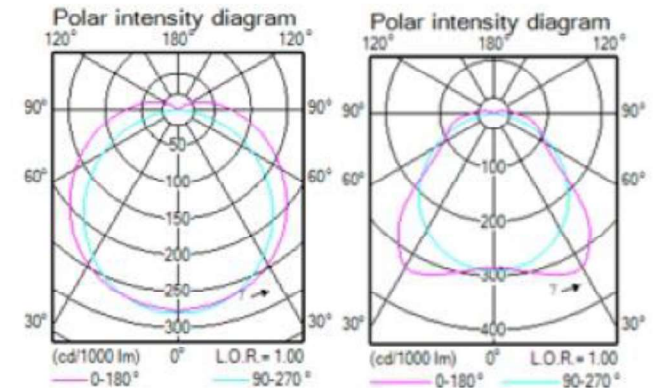
- Value Propositions/Key differentiators
- Product Features and Benefits
- Product Applications
- Product Designation
- Product Specifications
- Comparison with last generation
- Lighting application
- Product Installation
- Product Photometry
- Product Ordering Information

GreenPerform Waterproof G3 Vs G2

	GreenPerform G2
Lumen output	1000lm, 2000lm, 4000lm, 5400lm
System efficacy Ave.	110 lm/W
Optics	Lambertian
Dimension	0.6m, 1.2m, 1.5m
Mounting options	Surface mounted, suspended
Wiring options	Through wiring, middle wiring, terminal block
SDCM	5
Driver	Fixed output / DALI / ACW
Emergency light	-
Lifetime	50,000hours L70 Ta 25° C



	GreenPerform G3
Lumen output	1800lm ~ 8000lm (Multiple lumens with different optics)
System efficacy Ave.	Up to 140lm/W
Optics	Lambertian, wide beam
Dimension	0.6m, 1.2m, 1.5m
Mounting options	Surface mounted, suspended
Wiring options	Through wiring, terminal block, waterproof external connector option
SDCM	3
Driver	Fixed output (replaceable) / DALI / Wireless driver for IAI (upcoming)
Emergency light	Emergency light – 3 hours (upcoming)
Lifetime	50,000hours L70 Ta 25° C



Value proposition/ Key differentiators

Reliable performance

- 50,000hrs L70 B50
- IP65, IK08

Easy maintenance

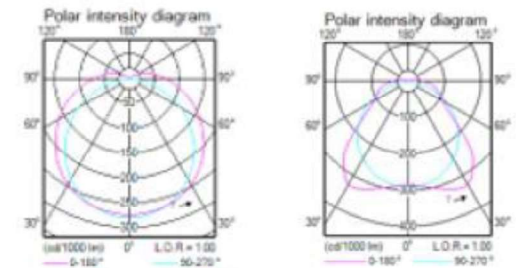
- Openable housing
- Driver replaceable

Product diversity

- L600/L1200/L1500
- 1800~8000lm
- Prismatic/opal cover

Easy installation

- Surface mounted & Suspended
- External connector option
- Through wiring available
- Long slider for flexibility



Superior optics

- High efficacy up to 140lm/W
- High lumen up to 8,000lm
- Different optics
 - WB – glaring control
 - Lambertian – great uniformity

GreenPerform Waterproof G3 – Features and benefits



Features and benefits:

- Superior optics - up to **140 lm/W**, **wide beam with glaring control**
- Product diversity – **3 lengths**, **multiple lumen options from 1800~8000lm**, **different optical covers**
- Fully connected - **DALI**, **Interact (Upcoming)** ready for industry applications
- Reliable performance - Lifetime **50,000hours** L70 Ta 25° C
- Easy installation – Surface mounted and suspended, **(through wiring and external connectors available)**

Applications



GreenPerform Waterproof G3 designation

WT198C LED40S/840 PSU (PCO) L1200



1 Lumen package

LED18S – 1800lm
LED19S – 1900lm
LED22S – 2200lm
LED27S – 2700lm
LED34S – 3400lm
LED40S – 4000lm
LED60S – 6000lm
LED80S – 8000lm

2 CCT

840 - 4000K
865 – 6500K (ETO)

3 Driver

PSU – Fixed output
PSD – DALI
IAI – Wireless driver for Interact

4 Optics or ETO options

– Wide beam (Prismatic Cover)
PCO – Lambertian (Opal cover)
TW1 – Through wiring (ETO)
WEC – Waterproof external connector (ETO)
EL3 – Emergency light 3 hours (ETO)

5 Dimension

L 600 - 665x80x85mm
L1200 - 1215x80x85mm
L1500 - 1515x80x85mm

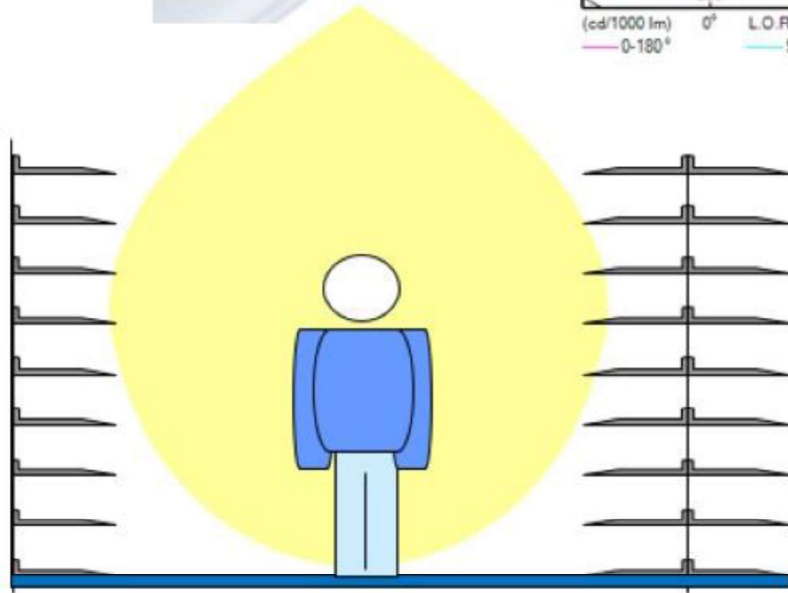
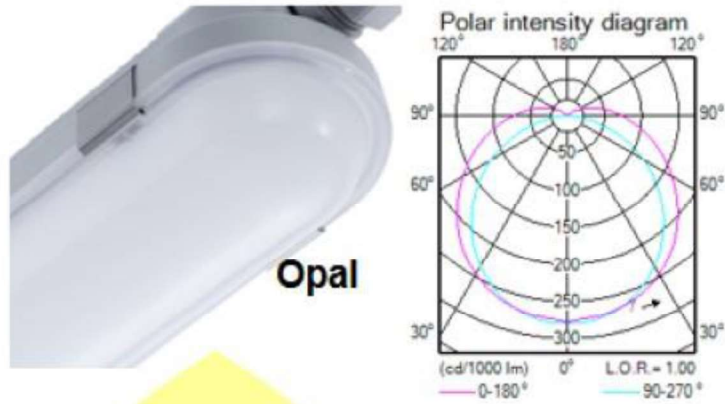


Technical Specifications – Fixed output version

	L600	L1200		L1500	
System Lumen output (WB version)	1900lm	2700lm	4000lm	6000lm	8000lm
System Lumen output (PCO version)	1800lm	2500lm	3700lm	5700lm	7500lm
System power (W)	15W	21W	29W	43W	57W
System efficacy (WB version)	127lm/W	132lm/W	140lm/W	140lm/W	140lm/W
System efficacy (PCO version)	121lm/W	122lm/W	128lm/W	130lm/W	133lm/W
Dimension (L x W x H, mm)	665 x 80 x 76	1215 x 80 x 76		1515 x 80 x 76	
Optics	Opal cover for Lambertian, Prismatic cover for wide beam				
Power factor	0.9				
CCT	NW - 4000K; CW - 6500K (ETO);				
CRI	>80				
SDCM	≤ 3				
IP rating	IP65				
IK rating	IK08				
Classification	Class I				
Input voltage	220-240V, 50/60 Hz				
Operating temperature	-25 ~ 40°C				
Lifetime (hours)	50,000 @L70B50 @Ta 25°C				
Material	Housing: PC / Optical cover: PC				
Mounting	Surfaced; Suspended				

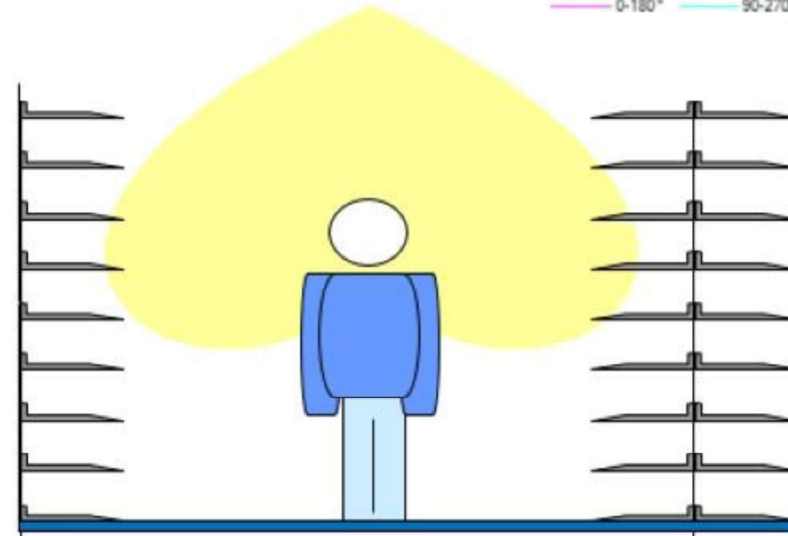
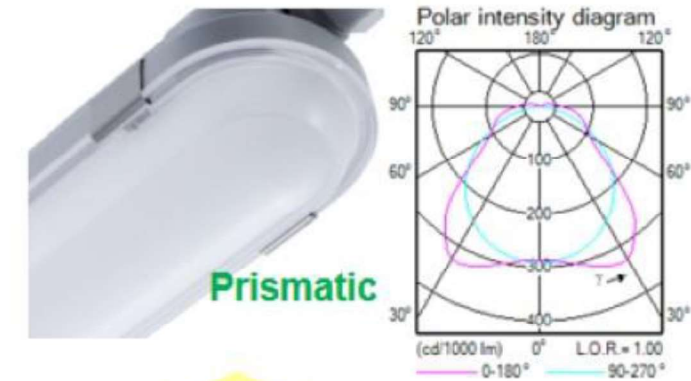
Lighting application

Lambertian for general lighting

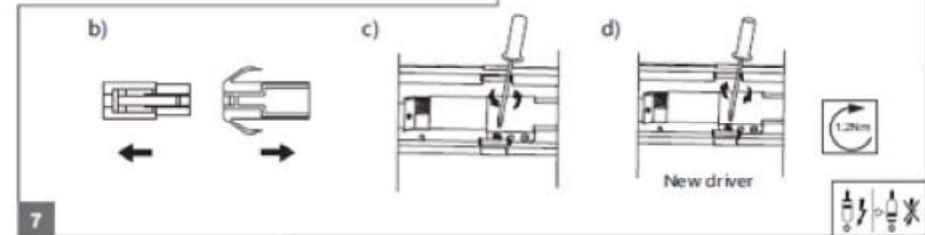
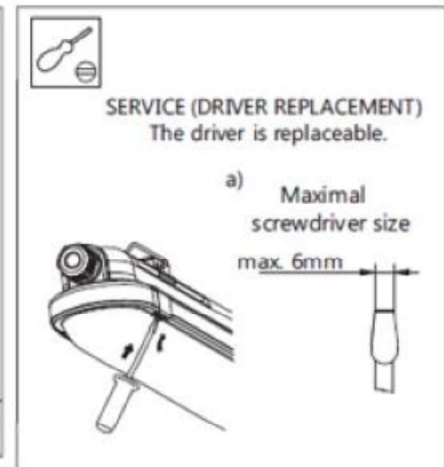
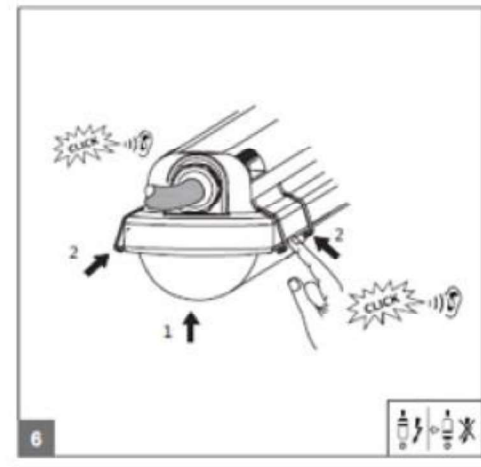
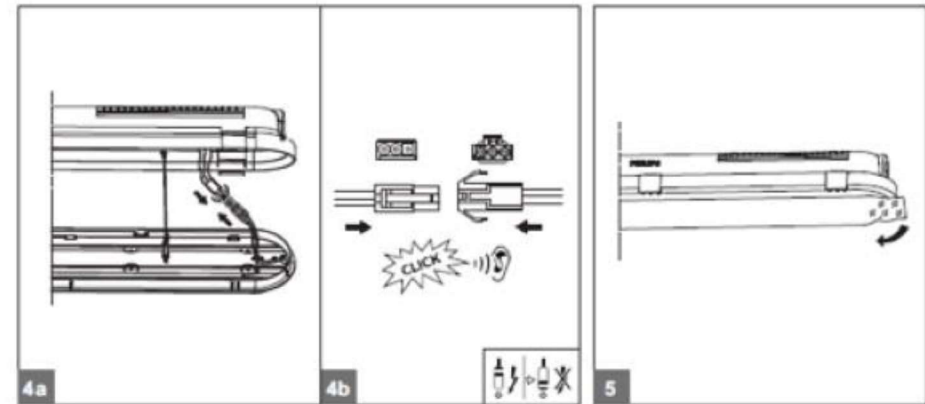
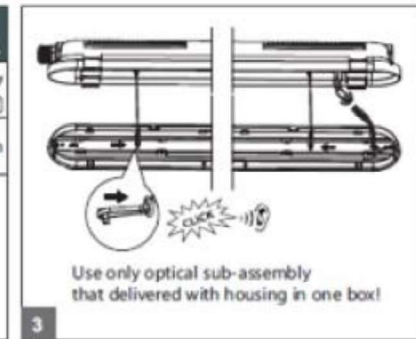
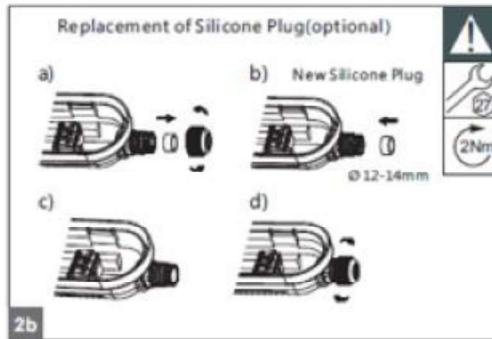
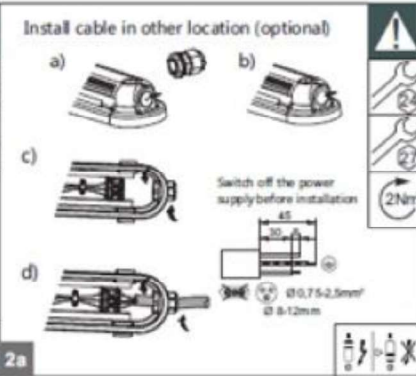
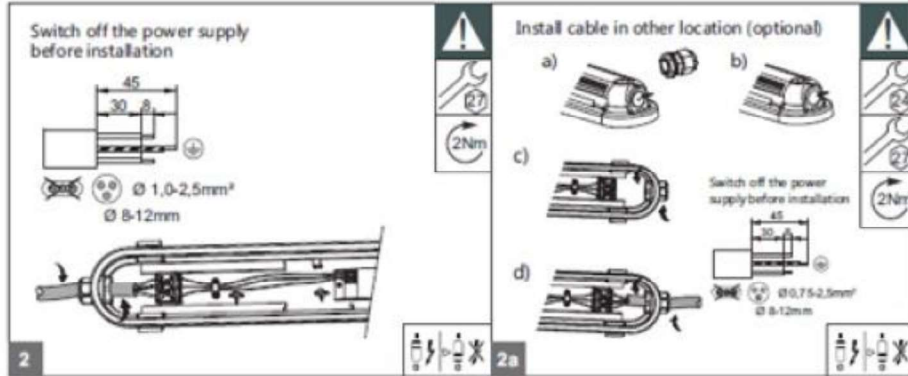
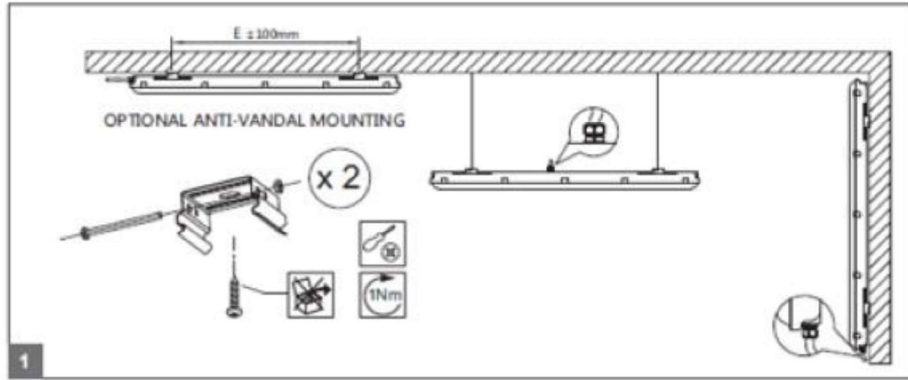


Wide beam

- More illuminance in vertical
- Better glaring control

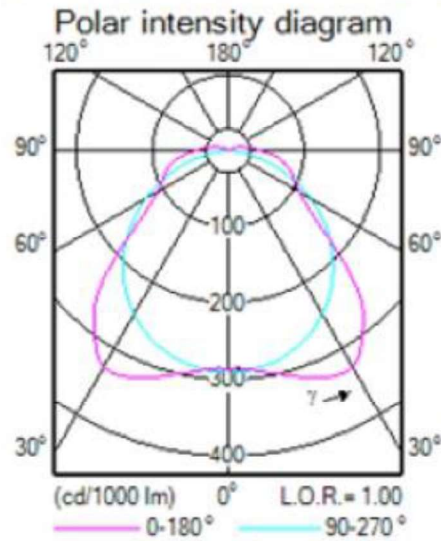


Product Installation

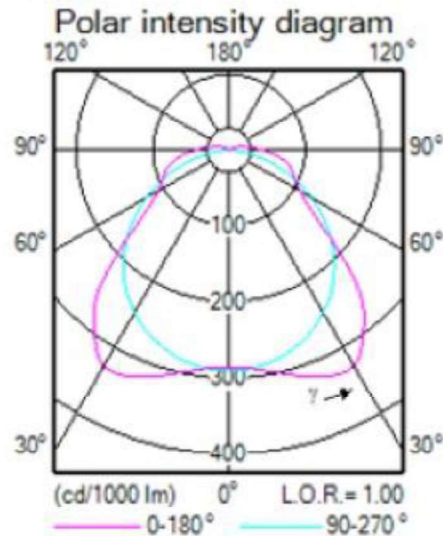


More details about installation and connection can be found in the mounting instruction

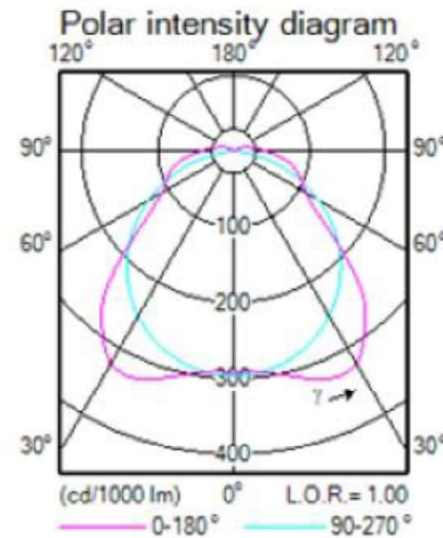
Product Photometry



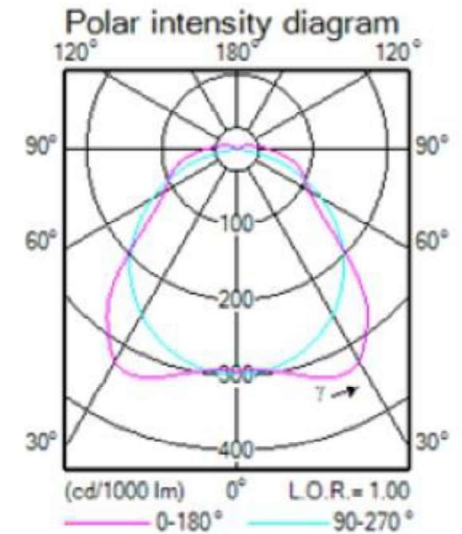
WT198C LED27S PSU L1200



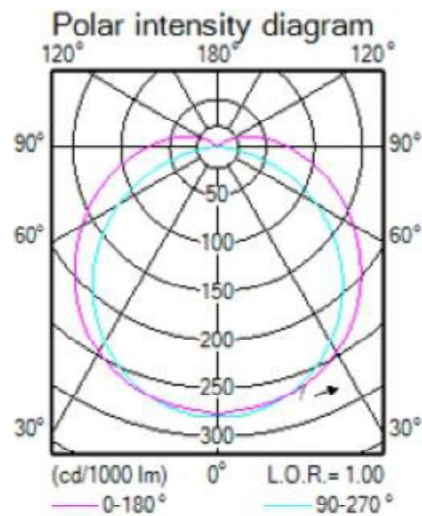
WT198C LED40S PSU L1200



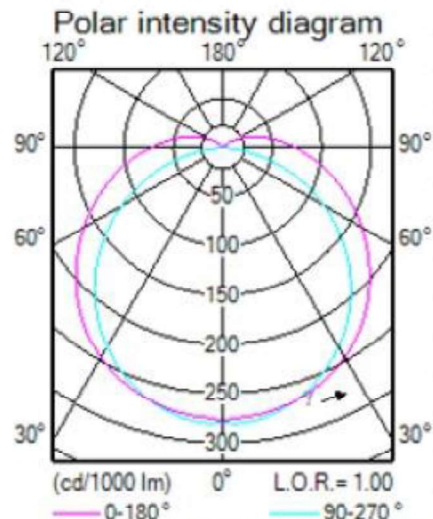
WT198C LED60S PSU L1500



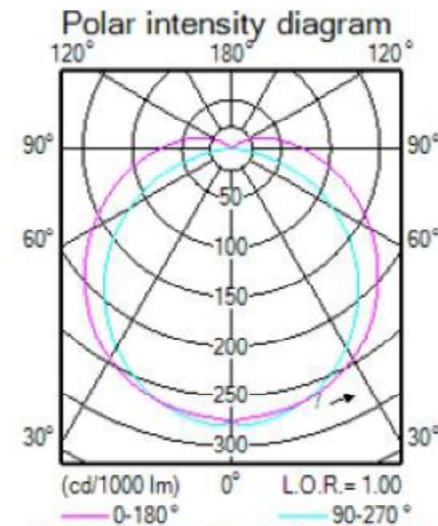
WT198C LED80S PSU L1500



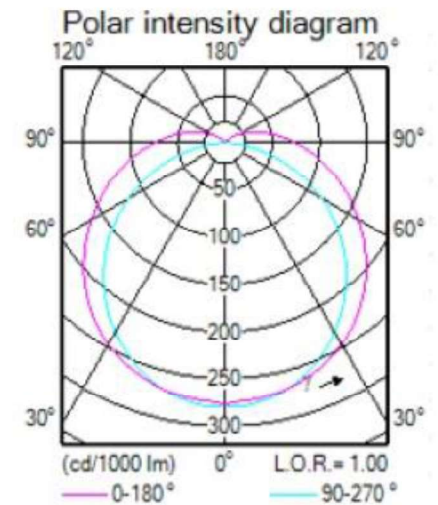
WT198C LED25S PSU PCO L1200



WT198C LED37S PSU PCO L1200



WT198C LED57S PSU PCO L1500



WT198C LED75S PSU PCO L1500

Product ordering information

12NC	Description	Lumen	CCT	Length	Driver	Optics
911401825580	WT198C LED19S/840 PSU L600	1900lm	4000K	665mm	Fixed output	WB
911401825680	WT198C LED27S/840 PSU L1200	2700lm	4000K	1215mm	Fixed output	WB
911401825780	WT198C LED40S/840 PSU L1200	4000lm	4000K	1215mm	Fixed output	WB
911401825880	WT198C LED60S/840 PSU L1500	6000lm	4000K	1515mm	Fixed output	WB
911401825980	WT198C LED80S/840 PSU L1500	8000lm	4000K	1515mm	Fixed output	WB
911401826080	WT198C LED18S/840 PSU PCO L600	1800lm	4000K	665mm	Fixed output	Lambertian (Opal)
911401826180	WT198C LED25S/840 PSU PCO L1200	2500lm	4000K	1215mm	Fixed output	Lambertian (Opal)
911401826380	WT198C LED37S/840 PSU PCO L1200	3700lm	4000K	1215mm	Fixed output	Lambertian (Opal)
911401826480	WT198C LED57S/840 PSU PCO L1500	5700lm	4000K	1515mm	Fixed output	Lambertian (Opal)
911401826580	WT198C LED75S/840 PSU PCO L1500	7500lm	4000K	1515mm	Fixed output	Lambertian (Opal)

- More options available on request