

Signify

GreenUp batten



BN008C

June 2018

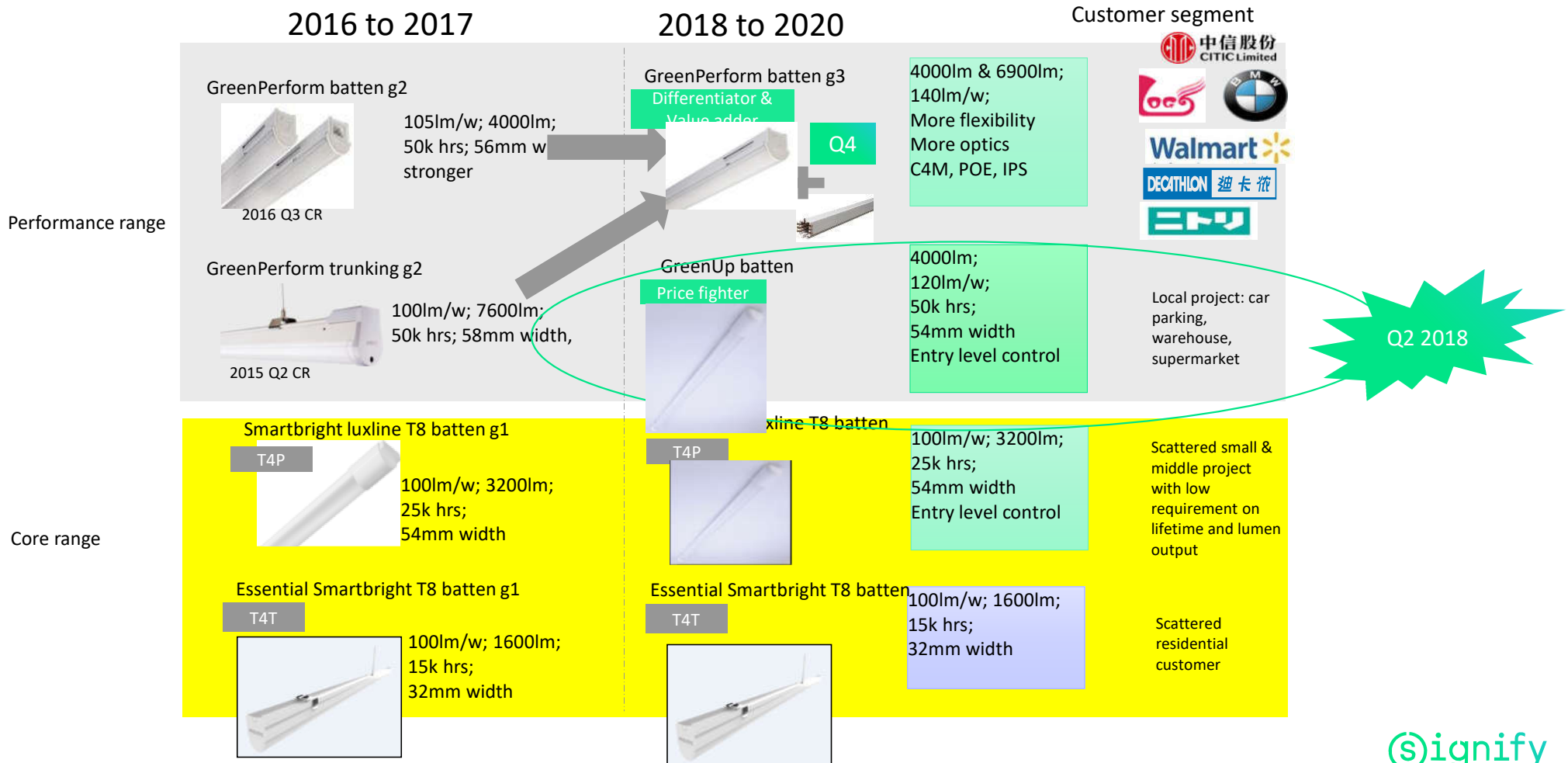


Key customers and application



To offer best general lighting with superior light

Re proposition for batten about general lighting (T8 integrated LED batten)



Outstanding design



Flame retardant grade poly-carbonate end cap

- Handy
- safe

Optics level Poly-carbonate cover

- Transparent + uniform light output
- Anti-dust
- Aesthetical curve

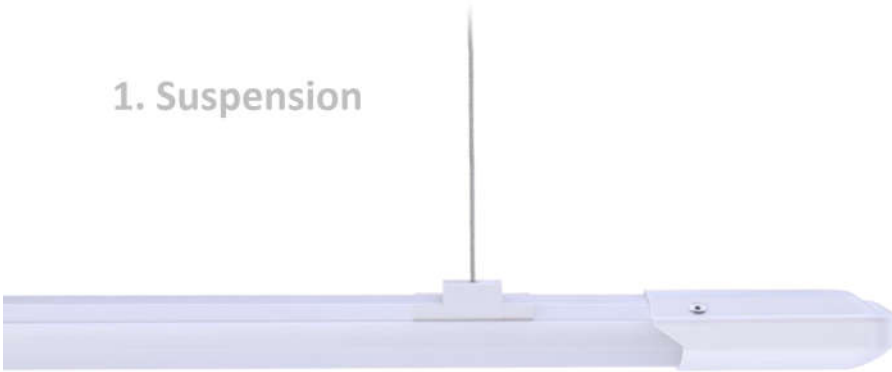
Back: High quality SPCC
(cold rolled steel sheet)

- Robust
- Durable
- Good heat conduction



Flexible installation

1. Suspension



2. Wall mounted



3. Ceiling mounted



- Two brackets are included in batten's packing
- Suspension wire/pole to be prepared by customers

Other Key features



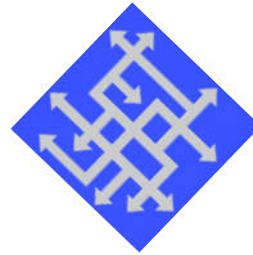
>35%

Cost down vs
Greenperform



120

Lm/W



4000

4000lm@ 4ft
2000lm@2ft



2

Step dim by motion
sensor (Q3 release)



50000

50K hrs lifetime

Specification for 1st Wave – Fix version



BN008C	China mainland & GM	Taiwan
System output	1.2m: 4000lm	1.2m: 4000lm
	0.6m: 2000lm	0.6m: 2000lm
Color & CCT	4000K, 6500K	4000K, 6500K
CRI	80	80
SDCM	SDCM<5	SDCM<5
Photometric	Sym diffused	Sym diffused
Input Voltage	220~240/50~60hz	100~240/50~60hz
Power factor	0.9/0.5	0.9/0.5
System Efficiency	120lm/W	120lm/W
System Wattage	1.2m: 33W/16.7W	1.2m: 33W/16.7W
	0.6m: 16.7W	0.6m: 16.7W
Operating temperature	Ta 25° C	Ta 25° C
IP rating	IP20	IP20
Dimension. (mm)	1200mm/ 600mm	1200mm/ 600mm
	1200mm/600mm * 54mm * 36mm	
Lifetime	50K hr@L70	50K hr@L70
Installation	Suspension, ceiling mounted	Suspension, ceiling mounted
Connection	Standalone	Standalone
	Fly wire, side entry	Fly wire, side entry
Others	Visually uniform, no hot spot	
Approbation	CCC/CE/CB/ EMC/RoHS	CNS/EMC/RoHS
Driver	Fixed	
Material	PC diffuser + Stainless steel back	

Specification for the 2nd wave – Control version



BN008C control version	Spec
System output	1.2m: 4000lm/2000lm; 0.6m: 2000lm
Control features	Step dim: 20% and 100% two steps, motion sensors.
Lm/w, PF, Lifetime	Follow standard fix version
Approbation	CCC/ CB / EMC/RoHS
Driver	Step dim.

Product list

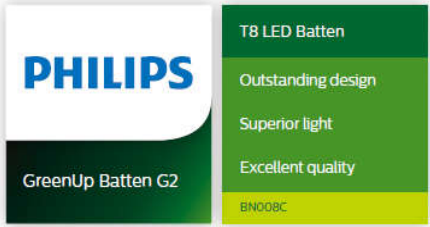
12NC	MAG	CAG	ProductDescription	Markets
911401724922	B35	314403	BN008C LED20 NW L600 G1 TW	Taiwan
911401724912	B35	314403	BN008C LED20 CW L600 G1 TW	Taiwan
911401724902	B35	314403	BN008C LED40 NW L1200 G1 TW	Taiwan
911401724892	B35	314403	BN008C LED40 CW L1200 G1 TW	Taiwan
911401724882	B35	314403	BN008C LED10 NW L600 G1 GM	GM
911401724872	B35	314403	BN008C LED10 CW L600 G1 GM	GM
911401724862	B35	314403	BN008C LED20 NW L600 G1 GM	GM
911401724852	B35	314403	BN008C LED20 CW L600 G1 GM	GM
911401724842	B35	314403	BN008C LED20 NW L1200 G1 GM	GM
911401724832	B35	314403	BN008C LED20 CW L1200 G1 GM	GM
911401724822	B35	314403	BN008C LED40 NW L1200 G1 GM	GM
911401724812	B35	314403	BN008C LED40 CW L1200 G1 GM	GM
911401724802	B35	314403	BN008C LED10 NW L600 G1	China
911401724792	B35	314403	BN008C LED10 CW L600 G1	China
911401724782	B35	314403	BN008C LED20 NW L600 G1	China
911401724772	B35	314403	BN008C LED20 CW L600 G1	China
911401724762	B35	314403	BN008C LED20 NW L1200 G1	China
911401724752	B35	314403	BN008C LED20 CW L1200 G1	China
911401724742	B35	314403	BN008C LED40 NW L1200 G1	China
911401724732	B35	314403	BN008C LED40 CW L1200 G1	China

Packaging



PHILIPS
GreenUp Batten G2
BNO0BC



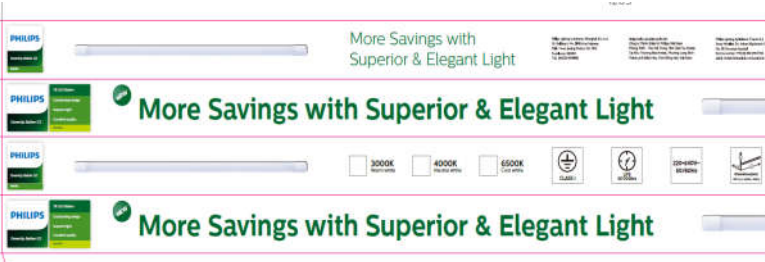


PHILIPS
GreenUp Batten G2
BNO0BC

T8 LED Batten
Outstanding design
Superior light
Excellent quality
BNO0BC

NEW

More Savings w



PHILIPS More Savings with Superior & Elegant Light

PHILIPS More Savings with Superior & Elegant Light

PHILIPS More Savings with Superior & Elegant Light

PHILIPS More Savings with Superior & Elegant Light

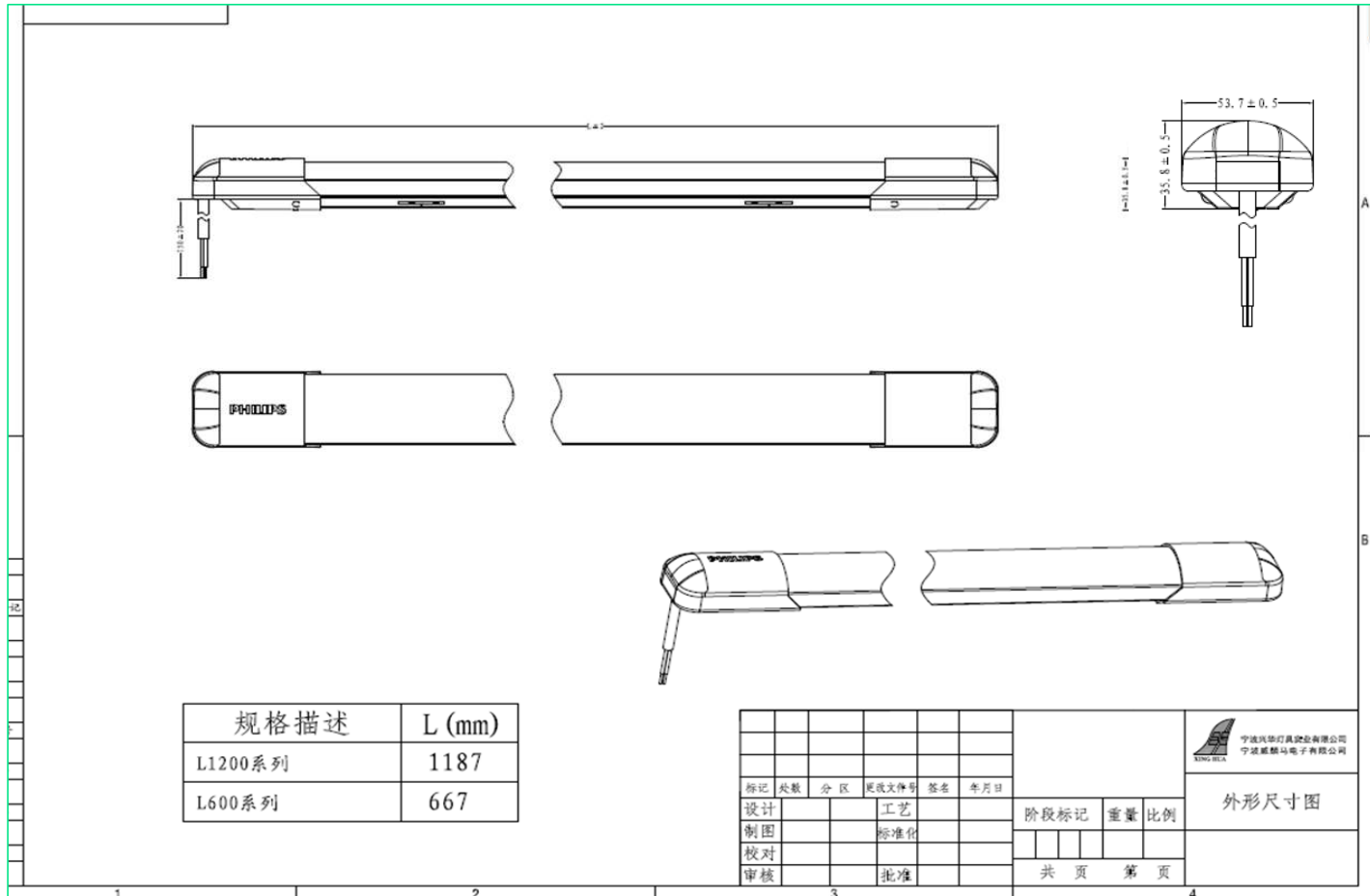
2000K 4000K 6500K

CLASS1

100-240V

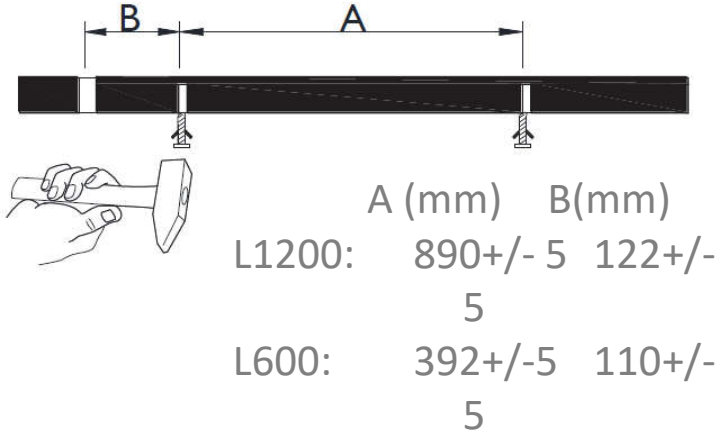
100-240V

Dimension

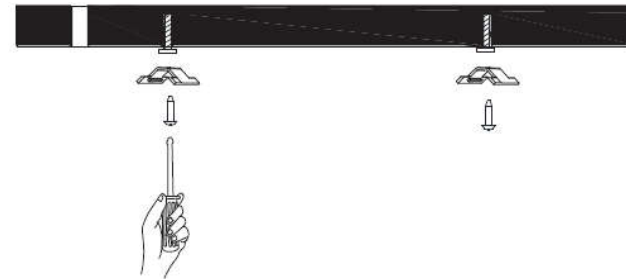


Installation

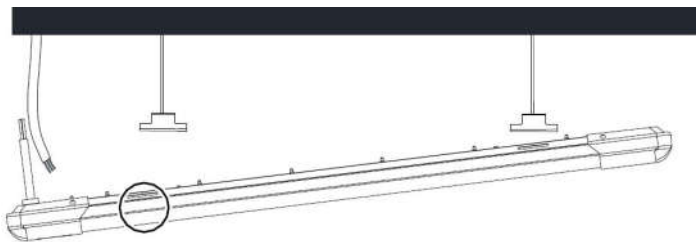
1. Mount the screw tube



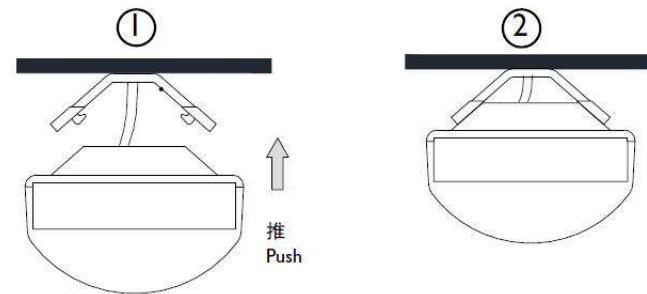
2. Mount the brackets



3. Connect wire



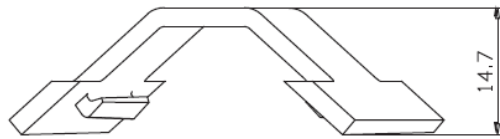
4. Fix the fixture



The accessories (mounting brackets)



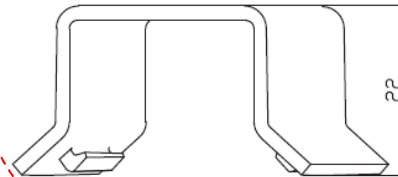
Surface mounted brackets (in batten's package)



Description	12NC	Note
BN006Z SM	911401547821	Suspension brackets x 2 pcs



Brackets for suspension (to order separately)



Green Up batten G2 – step dim version 2nd Wave in Q3

Q3 2018

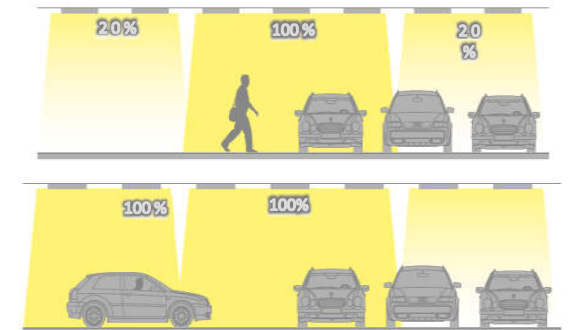


1. 120lm/w; 4000lm & 2000lm on 4ft

2. 20% and 100% step dim, one minute hold time

3. Microwave motion sensor with high penetration power

4. 5meters typical detection distance and 3m installation height



Signify